

# P, 11-Series, Ultra-High Pressure Hand Pumps

▼ Shown from left to right: 11-100, P-2282



- Two-speed operation on the P-2282 allows for faster fill operation, reducing cycle times for many testing applications
- 303 Stainless steel construction on the 11-100 and 11-400 models enable use with many different fluids, such as distilled water, diesters, silicones, soluble oils and petroleum
- Large release knob for improved control of pressure release
- Outlet ports are 3/4"-16 cone for 2800 bar rating.

## Ultra-High Pressure up to 2800 bar



### 2-Way Shut-Off Valve 72-750

For 2800 bar applications requiring a shut-off valve or gauge snubber. Made of 318 Stainless Steel and

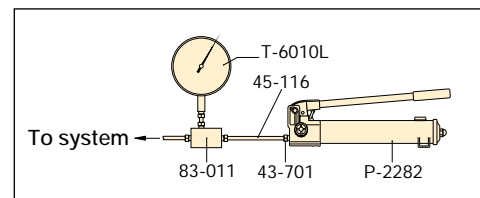
utilizing .38 inch cone fittings, it is the perfect selection for use with your Ultra-High Pressure hand pump.



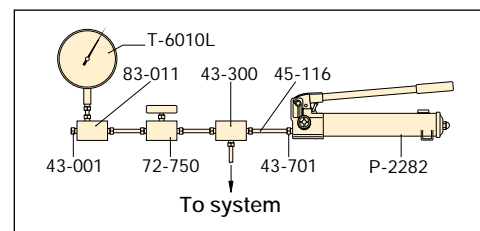
### Test System Gauges

Ideal for monitoring pressure in your hydraulic circuit, Test System Gauges, such as the T6010L, are available with cone threads or NPT threads and a variety of pressure ranges.

Page: 134



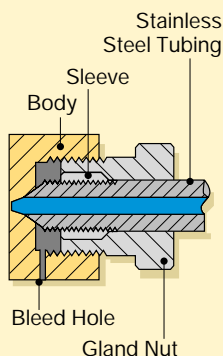
▲ Typical Test System



▲ Test System with Gauge Snubber

### Cone Seal

Stainless Steel High Pressure fittings seal on a 'cone' surface and do not require pipe sealer. The Gland Nut holds the sleeve and tubing tight against the cone surface to provide a 2800 bar seal.



Pump Type	Usable Oil Capacity (cm <sup>3</sup> )	Model Number	Pressure Rating* (bar)		Oil Displacement per Stroke (cm <sup>3</sup> )		Max. Handle Effort (kg)
			1 <sup>st</sup> stage	2 <sup>nd</sup> stage	1 <sup>st</sup> stage	2 <sup>nd</sup> stage	
Two-Speed	983	P-2282	13	2800	16,22	0,61	48,1
Single-Speed	737	11-100	-	700	-	2,49	54,4
	737	11-400	-	2800	-	0,62	54,4

\* Contact Enerpac for applications where operating pressure is less than 10% of pressure rating.

# Ultra-High Pressure Hand Pumps

## ▼ Optional Ultra-High Pressure Fittings and Tubings

Description	Connection	Model Nr.
<b>2800 bar</b>		
Gland Nut Plug	.38" cone	43-001
Elbow	.38" cone	43-200
Tee	.38" cone	43-300
Gauge Tee	.38" cone side/ .25" cone gauge port	43-301
Gauge Adaptor	.38" cone side/ .25" cone gauge port	83-011
Coupling	.38" cone	43-400
Cross	.38" cone	43-600
Gland Nut with Sleeve	.38" cone	43-701
Tubing	100 mm tube, O.D. .38" * 200 mm tube, O.D. .38" * 300 mm tube, O.D. .38" *	45-116 45-126 45-136
<b>700 bar only</b>		
Adaptor	.38F cone to 1/4" M NPTF	41-146
	.38F cone to 3/8" M NPTF	41-166
Adaptor	.38F cone to 1/4" F NPTF	41-246
	.38F cone to 3/8" F NPTF	41-266

Note: .25" cone fittings use 9/16"-18 threads, 3/8" cone fittings use 3/4"-16 threads.

\* Actual tubing lengths are 19 mm less than nominal size shown. These dimensions make distance between centers of valves and fittings multiples of 100 mm spaces.

**P  
11  
Series**



Reservoir Capacity:

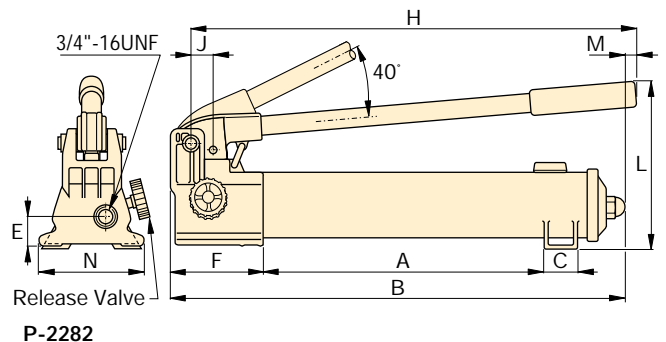
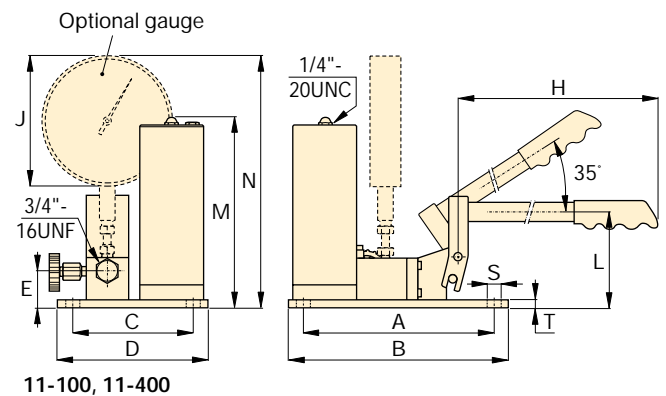
**737-983 cm<sup>3</sup>**

Flow at Rated Pressure:

**0,61-2,49 cm<sup>3</sup>/stroke**

Operating Pressure:

**700-2800 bar**



Piston Stroke (mm)	Dimensions (mm)													Model Number	
	A	B	C	D	E	F	H	J	L	M	N	S	T		
25,4	344	558	35	-	31	133	527	29	228	7	120	-	-	6,4	P-2282
19,8	240	266	151	177	45	-	635	162	114	237	314	7	9	10,0	11-100
19,8	240	266	151	177	45	-	635	162	114	237	314	7	9	10,0	11-400