

RCH-Series, Hollow Plunger Cylinders

▼ Shown from left to right: RCH-306, RCH-120, RCH-1003

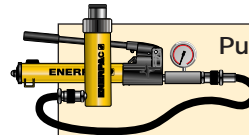


- Hollow plunger design allows for both pull and push forces
- Single-acting, spring return
- Nickel-plated, floating center tube on models over 20 ton increases product life
- Baked enamel finish for increased corrosion resistance
- Collar threads for easy fixturing
- RCH-120 includes AR-630 coupler and has 1/4" NPTF port
- RCH-121 and RCH-1211 have FZ-1630 reducer and AR-630 coupler, all other models feature CR-400 coupler

▼ Hollow plunger cylinder RCH-1003 used in an application for intermediate boom suspension on a dragline.



Versatility in Testing, Maintenance and Tensioning Applications



Pump and Cylinder Sets

All cylinders marked with an * are available as sets (cylinder, gauge, couplers, hose and pump) for your ordering convenience.

Page: 64



Ultra-Lightweight Aluminium Cylinders

If you need a higher cylinder capacity-to-weight-ratio the Ultra-lightweight RACH-Series are the perfect choice.

Page: 18



Saddles

Most RCH-Series cylinders are equipped with smooth saddles. See table at next page for optional threaded

saddles and all dimensional information.

Page: 29

| Cylinder Capacity | Stroke | Model Number | Cyl. Effect. Area | Oil Cap. |
|-------------------|--------|--------------|--------------------|--------------------|
| ton (kN) | (mm) | | (cm ²) | (cm ³) |
| 13 (125) | 8 | RCH-120 | 17,9 | 14 |
| | 42 | RCH-121* | 17,9 | 75 |
| | 42 | RCH-1211 | 17,9 | 75 |
| | 76 | RCH-123 | 17,9 | 136 |
| 20 (215) | 49 | RCH-202* | 30,7 | 150 |
| | 155 | RCH-206 | 30,7 | 476 |
| 30 (326) | 64 | RCH-302* | 46,6 | 298 |
| | 155 | RCH-306 | 46,6 | 722 |
| 60 (576) | 76 | RCH-603* | 82,3 | 626 |
| | 153 | RCH-606 | 82,3 | 1259 |
| 95 (931) | 76 | RCH-1003* | 133,0 | 1011 |

* Available as set, see note on this page.

Single-Acting, Hollow Plunger Cylinders



Hoses

Enerpac offers a complete line of high quality hydraulic hoses. To ensure the integrity of your system, specify only Enerpac hydraulic hoses.

Page: 122

RCH Series



Capacity:

13-95 ton

Stroke:

8-155 mm

Center Hole Diameter:

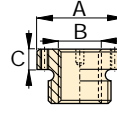
19,6 - 79,0 mm

Maximum Operating Pressure:

700 bar

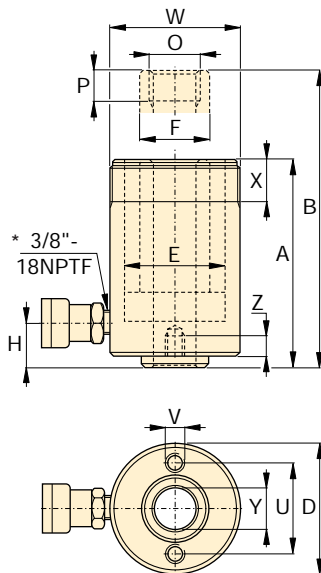
Optional Heat Treated Hollow Saddles

| Saddle Type | Cylinder Model Number | Saddle Model Nr. | Saddle Dimensions (mm) | | |
|-----------------|-----------------------|------------------|------------------------|----------------|----|
| | | | A | B | C |
| Threaded Hollow | RCH-202, 206 | HP-2015 | 53 | 1" - 8 | 9 |
| | RCH-302, 306 | HP-3015 | 63 | 1 1/4" - 7 | 9 |
| | RCH-603, 606 | HP-5016 | 91 | 1 5/8" - 5 1/2 | 12 |
| | RCH-1003 | HP-10016 | 126 | 2 1/2" - 8 | 13 |

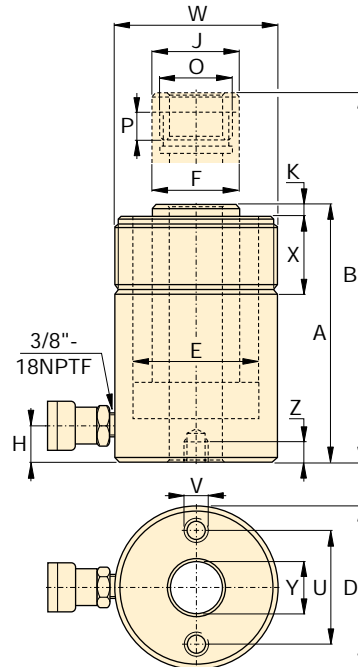


Smooth hollow saddles are standard on all RCH-models (except RCH-120, RCH-1211).

RCH-121 and RCH-1211 have a 47 mm dia. boss that protrudes 6 mm from base.



RCH-120 to RCH-123 models
* 1/4" NPT for RCH-120 only



RCH-202 to RCH-1003 models

Base Mounting Hole Dimensions (mm)

| Model Number | Bolt Circle U | Thread V | Thread Depth Z |
|--------------|---------------|----------------|----------------|
| RCH-120 | 50,8 | 5/16" - 18 UNC | 9,0 |
| RCH-121 | - | - | - |
| RCH-1211 | - | - | - |
| RCH-123 | 50,8 | 5/16" - 18 UNC | 12,7 |
| RCH-202 | 82,6 | 3/8" - 16 UNC | 9,4 |
| RCH-206 | 82,6 | 3/8" - 16 UNC | 9,4 |
| RCH-302 | 92,2 | 3/8" - 16 UNC | 14,0 |
| RCH-306 | 92,2 | 3/8" - 16 UNC | 14,0 |
| RCH-603 | 130,3 | 1/2" - 13 UNC | 14,0 |
| RCH-606 | 130,3 | 1/2" - 13 UNC | 14,0 |
| RCH-1003 | 177,8 | 5/8" - 11 UNC | 19,0 |

| Coll. Height A (mm) | Ext. Height B (mm) | Out. Dia. D (mm) | Cyl. Bore Dia. E (mm) | Plgr. Dia. F (mm) | Cyl. Base to Advance Port H (mm) | Saddle Dia. J (mm) | Saddle Protrusion from Plgr. K (mm) | Plunger Internal Thread O | Plunger Thread Length P (mm) | Collar Thread W | Collar Thread Length X (mm) | Center Hole Dia. Y (mm) | (kg) | Model Number |
|---------------------|--------------------|------------------|-----------------------|-------------------|----------------------------------|--------------------|-------------------------------------|---------------------------|------------------------------|-----------------|-----------------------------|-------------------------|------|--------------|
| 55 | 63 | 69 | 54,1 | 35,1 | 9 | - | - | 3/4" - 16 UN | 16 | 2 3/4" - 16 | 30 | 19,6 | 1,5 | RCH-120 |
| 120 | 162 | 69 | 54,1 | 35,1 | 19 | - | - | - | - | 2 3/4" - 16 | 30 | 19,6 | 2,8 | RCH-121* |
| 120 | 162 | 69 | 54,1 | 35,1 | 19 | - | - | 3/4" - 16 UN | 16 | 2 3/4" - 16 | 30 | 19,6 | 2,8 | RCH-1211 |
| 184 | 260 | 69 | 54,1 | 35,1 | 19 | - | - | - | - | 2 3/4" - 16 | 30 | 19,6 | 4,4 | RCH-123 |
| 162 | 211 | 98 | 73,1 | 54,1 | 19 | 54 | 9,7 | 1 9/16" - 16 UN | 19 | 3 7/8" - 12 | 38 | 26,9 | 7,7 | RCH-202* |
| 306 | 461 | 98 | 73,1 | 54,1 | 25 | 54 | 9,7 | 1 9/16" - 16 UN | 19 | 3 7/8" - 12 | 38 | 26,9 | 14,1 | RCH-206 |
| 178 | 242 | 114 | 88,9 | 63,5 | 21 | 63 | 9,0 | 1 13/16" - 16 UN | 22 | 4 1/2" - 12 | 42 | 33,3 | 10,9 | RCH-302* |
| 330 | 485 | 114 | 88,9 | 63,5 | 25 | 63 | 9,0 | 1 13/16" - 16 UN | 22 | 4 1/2" - 12 | 42 | 33,3 | 21,8 | RCH-306 |
| 247 | 323 | 159 | 123,9 | 91,9 | 31 | 91 | 12,0 | 2 3/4" - 16 UN | 19 | 6 1/4" - 12 | 48 | 53,8 | 28,1 | RCH-603* |
| 323 | 476 | 159 | 123,9 | 91,9 | 31 | 91 | 12,0 | 2 3/4" - 16 UN | 19 | 6 1/4" - 12 | 48 | 53,8 | 35,4 | RCH-606 |
| 254 | 330 | 212 | 165,1 | 127,0 | 38 | 126 | 12,0 | 4" - 16 UN | 25 | 8 3/8" - 12 | 60 | 79,0 | 63,0 | RCH-1003* |